

**Model No.**

T6D\* - B45 - 1 R 00 - C 1

Series M = Mobile 1 shaft seal  
Series P = Mobile 2 shaft seals

**Cam ring**

(Delivery at 0 bar & 1500 r.p.m.)

B14 = 71,4 l/min	B35 = 166,5 l/min
B17 = 87,3 l/min	B38 = 180,4 l/min
B20 = 99,0 l/min	B42 = 204,0 l/min
B24 = 119,3 l/min	B45 = 218,5 l/min
B28 = 134,5 l/min	B50 = 237,0 l/min
B31 = 147,4 l/min	

**Type of shaft**

**M version**

- 1 = keyed (SAE C)
- 2 = keyed (no SAE)
- 3 = splined (SAE C)
- 4 = splined (no SAE)
- T = splined (SAE J718c)

**Type of shaft**

**P version**

- 3 = splined (no SAE)

**Modification**

**Seal class**

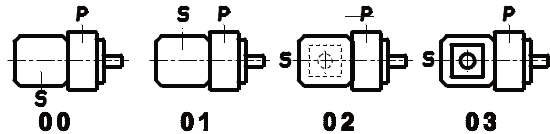
- 1 = S1 (for mineral oil)
- 4 = S4 (for the resistant fluids)
- 5 = S5 (for mineral oil and fire resistant fluids)

**Design letter**

00 = standard

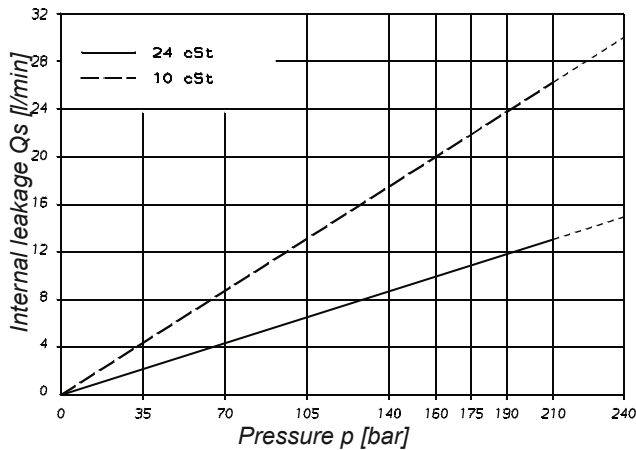
**Direct. of rotation (view on shaft end)**

- R = clockwise
- L = counter-clockwise

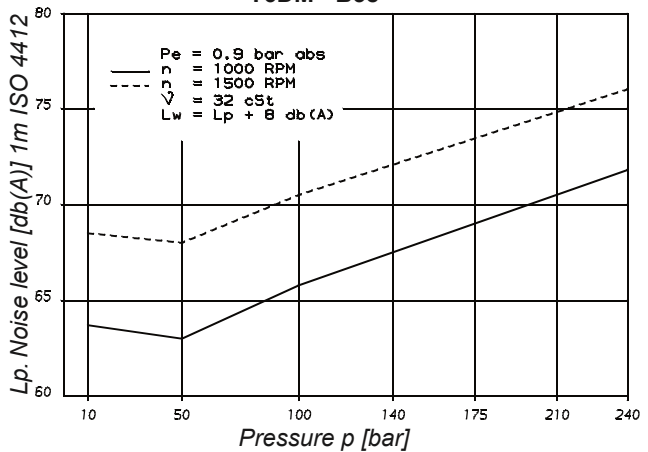


P = Pressure port  
S = Suction port

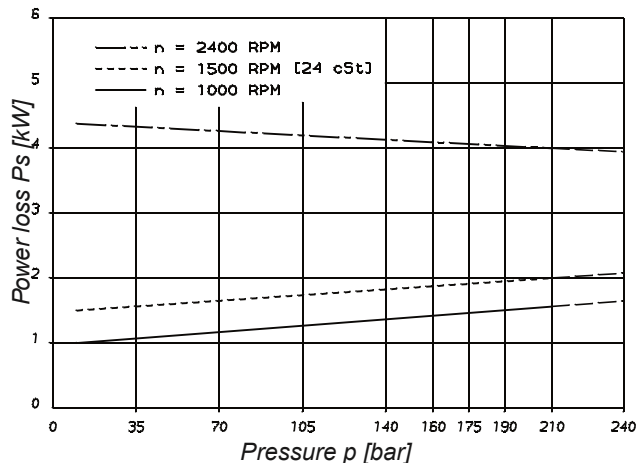
**INTERNAL LEAKAGE (TYPICAL)**



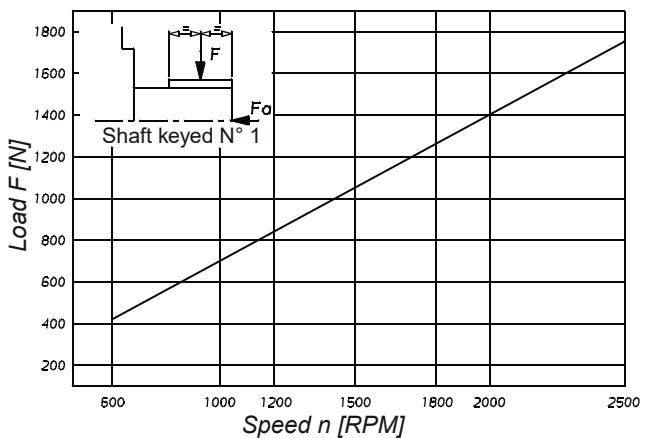
**NOISE LEVEL (TYPICAL)**  
T6DM - B38



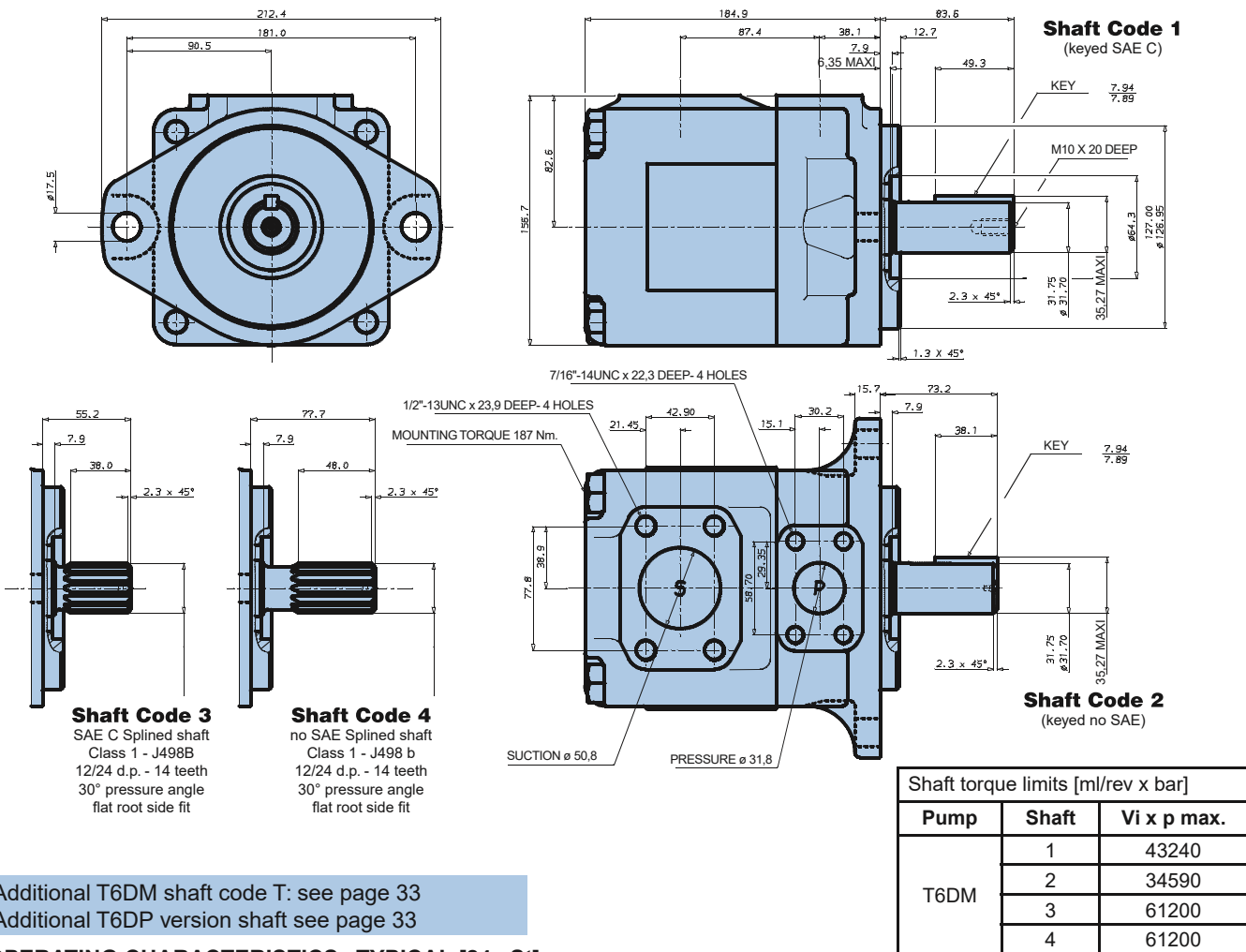
**POWER LOSS HYDROMECHANICAL (TYPICAL)**



**PERMISSIBLE RADIAL LOAD**



Maximum permissible axial load Fa = 1200 N



Additional T6DM shaft code T: see page 33  
Additional T6DP version shaft see page 33

**OPERATING CHARACTERISTICS - TYPICAL [24 cSt]**

Series	Volumetric Displacement Vi	Speed n [R.P.M.]	Flow Q [l/min]			Input power P [kW]		
			p = 0 bar	p = 140 bar	p = 240 bar	p = 7 bar	p = 140 bar	p = 240 bar
B14	47.6 ml/rev	1000	47.6	38.3	32.1	1.5	12.5	20.7
		1500	71.4	62.1	55.9	2.3	18.5	30.6
B17	58.2 ml/rev	1000	58.2	48.9	42.7	1.6	14.9	24.9
		1500	87.3	78.0	71.8	2.5	22.2	37.0
B20	66.0 ml/rev	1000	66.0	56.7	50.5	1.7	16.8	28.0
		1500	99.0	89.7	83.5	2.8	24.9	41.7
B24	79.5 ml/rev	1000	79.5	70.2	64.0	1.9	19.9	33.4
		1500	119.3	110.0	103.8	3.0	29.6	49.8
B28	89.7 ml/rev	1000	89.7	80.4	74.2	2.0	22.3	37.5
		1500	134.5	125.2	119.0	3.2	33.2	55.9
B31	98.3 ml/rev	1000	98.3	89.0	82.8	2.1	24.3	40.9
		1500	147.4	138.1	131.9	3.3	36.2	61.0
B35	111.0 ml/rev	1000	111.0	101.7	95.5	2.3	27.3	46.0
		1500	166.5	157.2	151.0	3.5	40.7	68.7
B38	120.3 ml/rev	1000	120.3	111.0	104.8	2.4	29.4	49.8
		1500	180.4	171.1	164.9	3.7	43.9	74.3
B42 <sup>1)</sup>	136.0 ml/rev	1000	136.0	126.7	120.5	2.6	33.1	56.0
		1500	204.0	194.7	188.5	4.0	49.4	83.7
B45 <sup>1)</sup>	145.7 ml/rev	1000	145.7	136.4	130.2	2.7	35.3	59.9
		1500	218.5	209.2	203.0	4.1	52.8	89.5
B50 <sup>1)</sup>	158.0 ml/rev	1000	158.0	148.7	145.0 <sup>2)</sup>	2.8	38.2	56.8 <sup>2)</sup>
		1500	237.0	227.7	224.0 <sup>2)</sup>	4.4	57.0	85.0 <sup>2)</sup>

<sup>1)</sup> B42 - B45 - B50 = 2200 R.P.M. max.

<sup>2)</sup> B50 = 210 bar max. int.

Port connection can be furnished with metric threads.